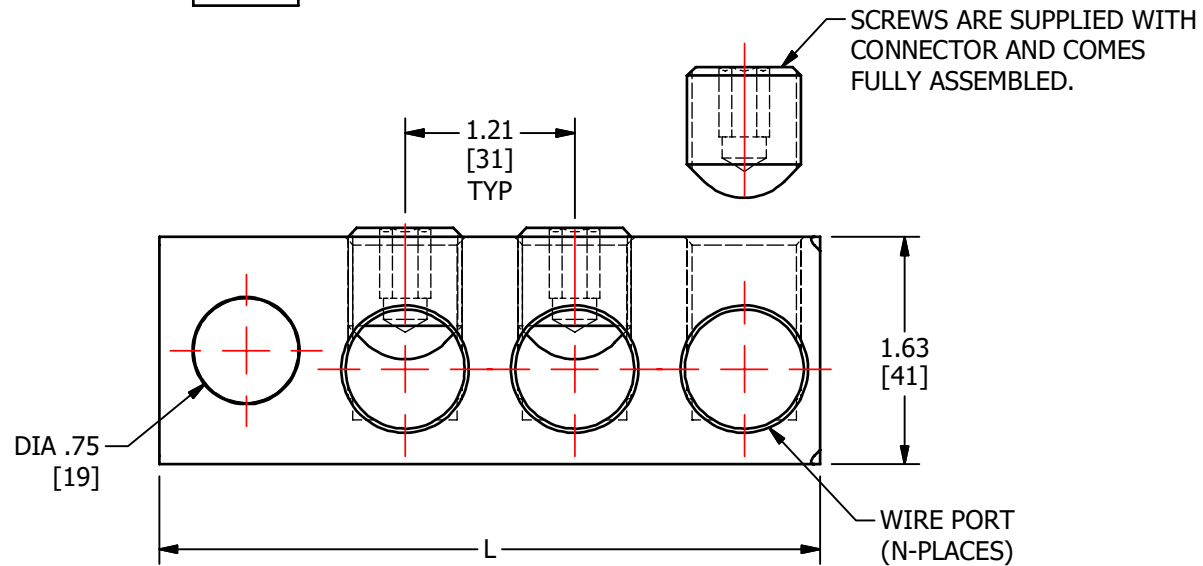
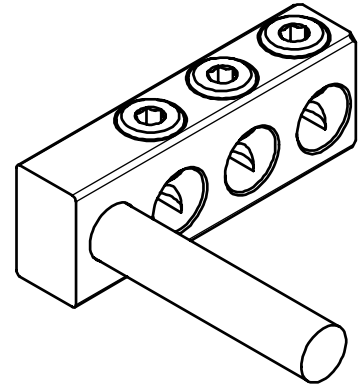
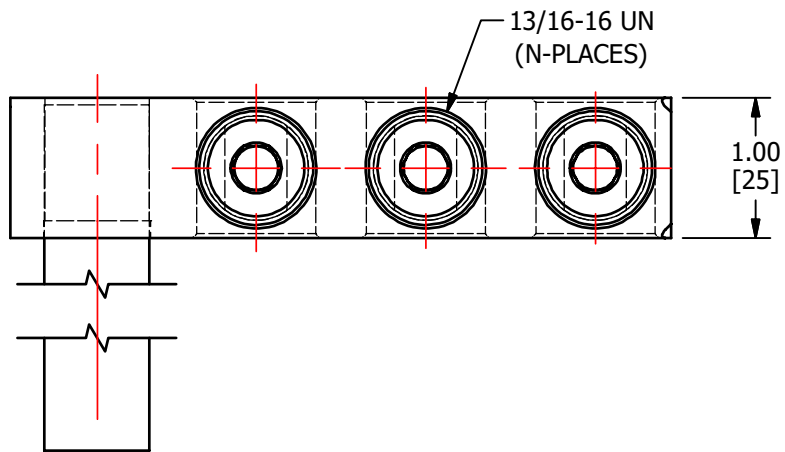
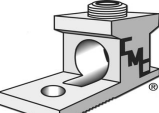


S.NO	CATALOG NUMBER	L	N
1	NP2-500I	3.51 [89]	2
2	NP3-500I	4.72 [120]	3
3	NP4-500I	5.93 [150]	4
4	NP6-500I	8.35 [212]	6
5	NP8-500I	10.77 [273]	8



CONDUCTOR RANGE: 500 Kcmil - #10 AWG (AL-CU)
 FINISH: CLEAR PLATE
 MATERIAL: ALUMINUM

						DRAWN BY: TS 09-27-19 CHECKED BY:	NAME OF PART: PIN CONNECTOR ASSEMBLY DWG NO: C58700580I-S (CHARTED)	CAT. NO.: SEE TABLE
						TO ORDER CMC PRODUCTS CALL 1-513-860-4455 FOR PRODUCT INFO: http://www.cmclugs.com		A 
A	NEW DRAWING CREATED		09-27-19	TS		DRAWING NOT TO SCALE		SHEET NO: 1 OF 1
REV.	DESCRIPTION	ECN	DATE	INIT.				

THIS INFORMATION IS PROPRIETARY TO CONNECTOR MFG. CO. AND IS NOT TO BE DISCLOSED OUTSIDE OF CONNECTOR MFG. CO. WITHOUT A CONFIDENTIALITY AGREEMENT



CONNECTOR MANUFACTURING CO.

HAMILTON, OHIO